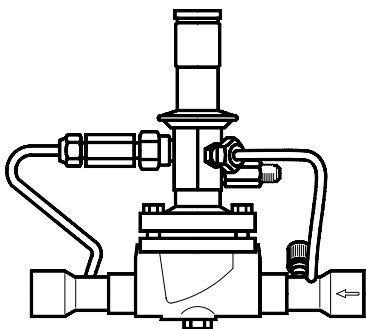


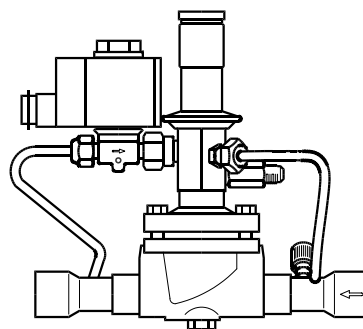
PKV, PKVS

034R9761

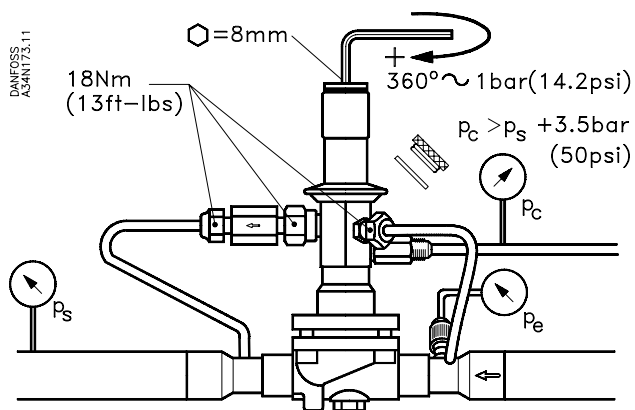
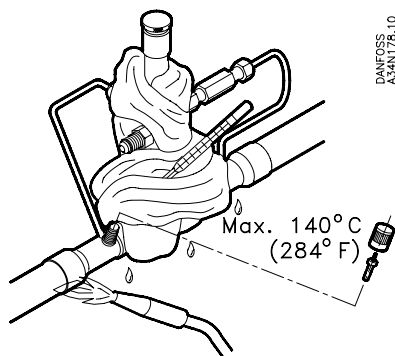
034R9761



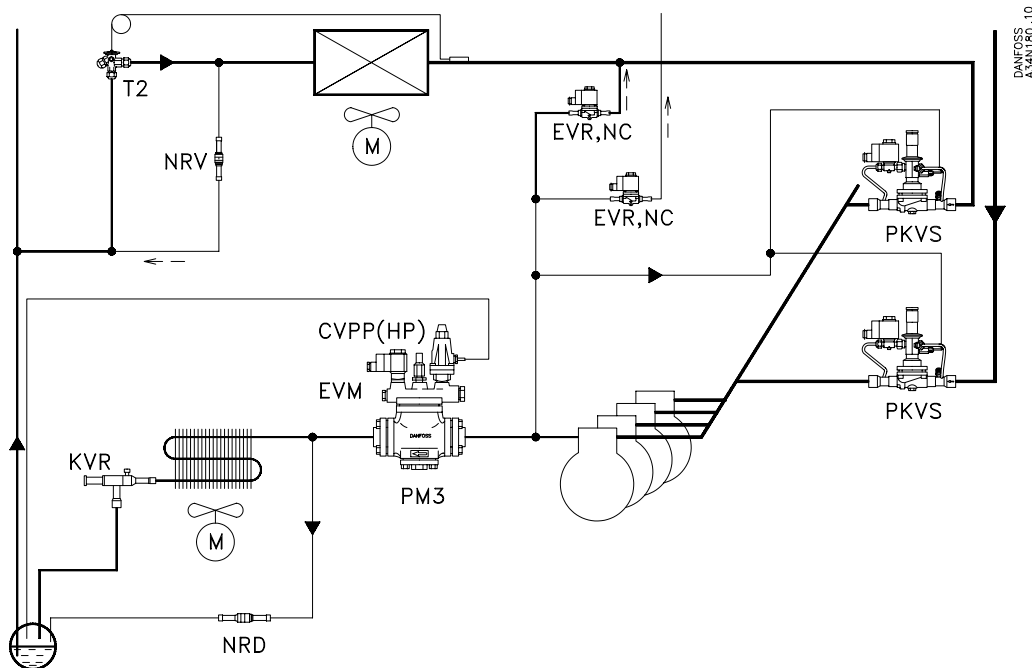
PKV



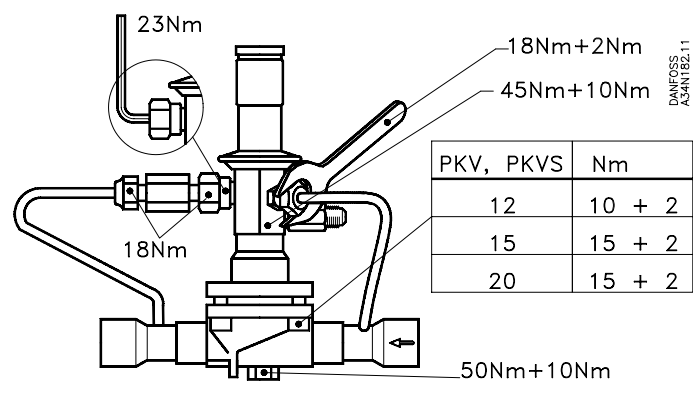
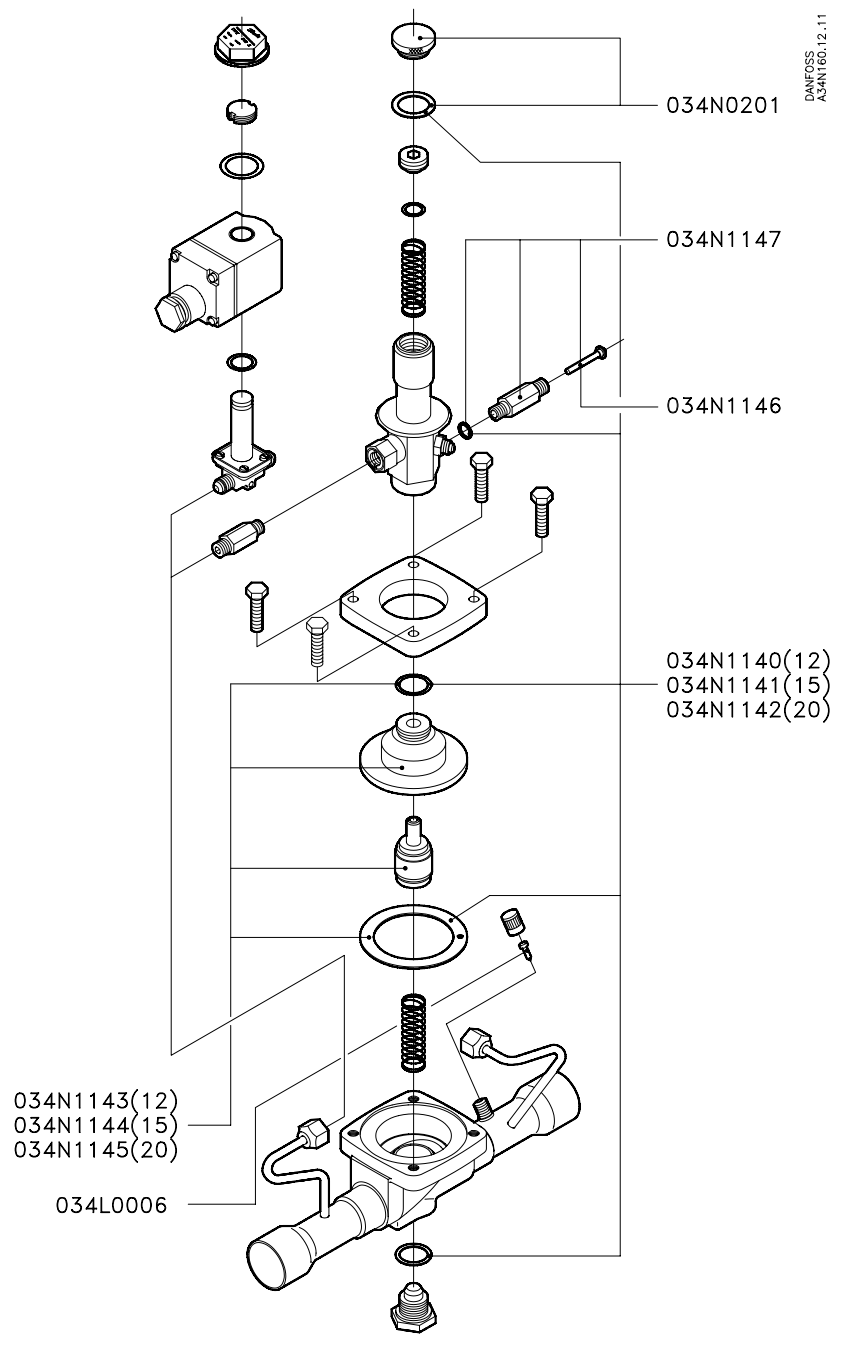
PKVS



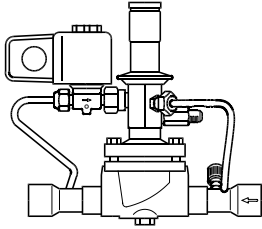
Application



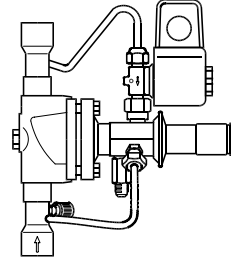
DANFOSS
A34N180.12.11



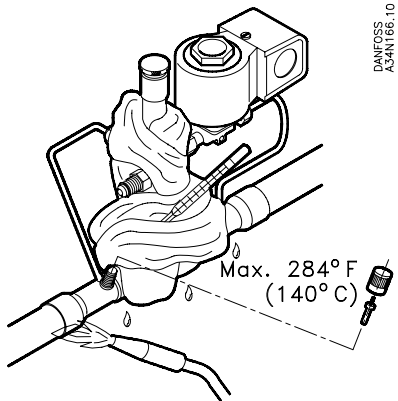
Identification
(Horizontal mounting)



Identification
(Vertical mounting)

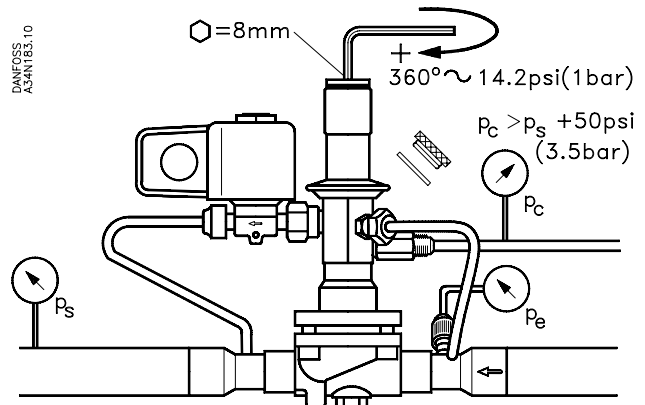


Mounting

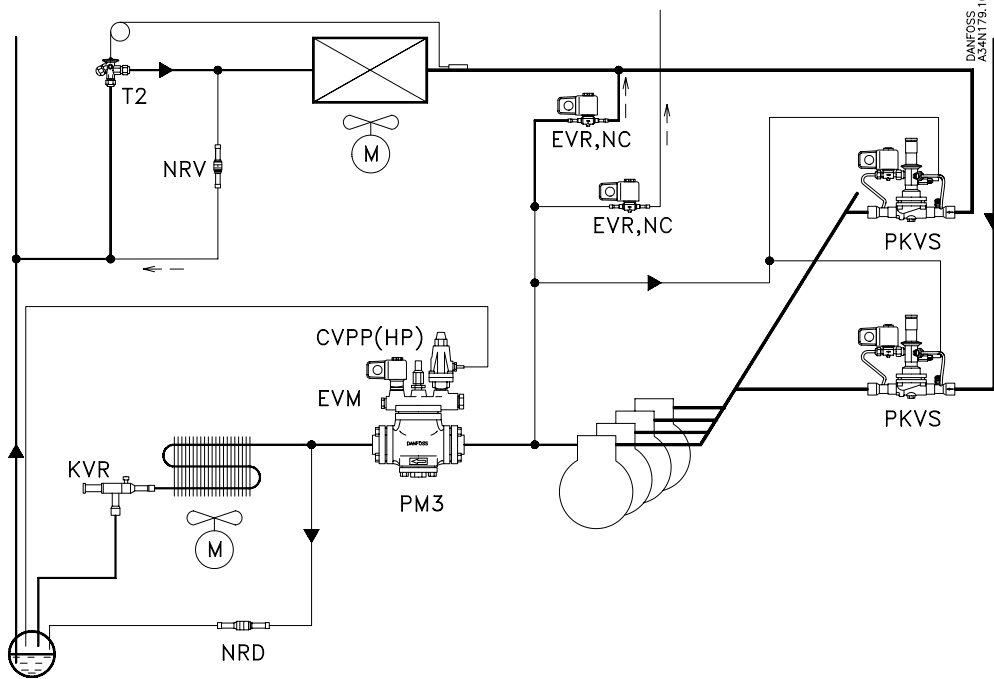


The Schrader valve is to be installed after mounting

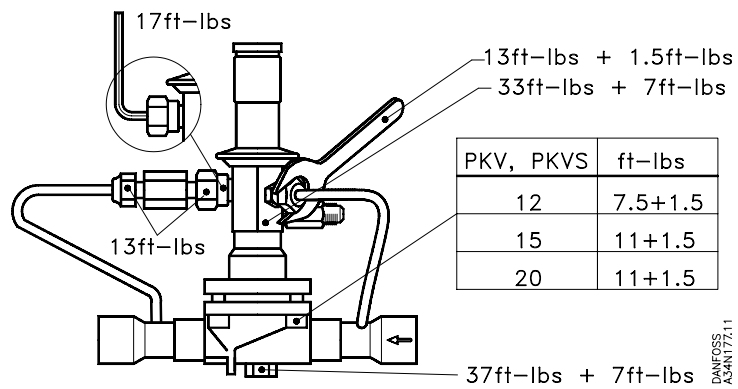
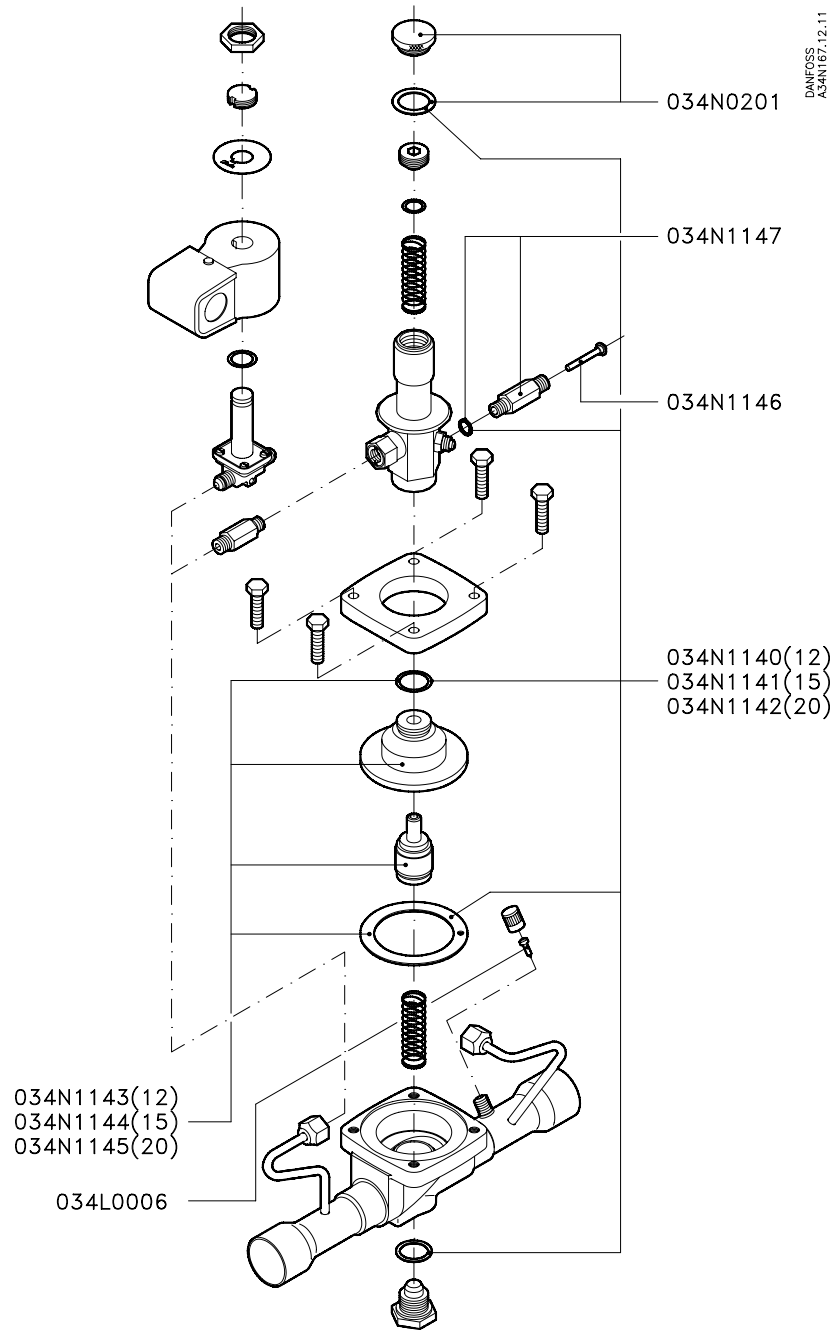
Adjusting



Application



DANFOSS
A34N17.12.11



DANFOSS
A34N17.11